

X2 DRIVER ID

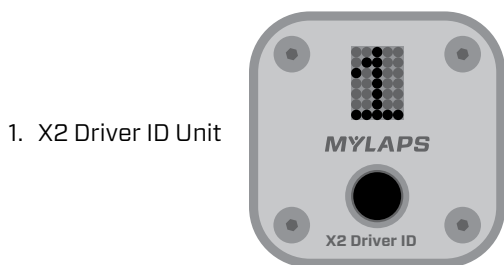
QUICK START GUIDE



IMPORTANT!

- ▶ The MYLAPS X2 Driver ID is only compatible with DIRECT POWERED Car/Bike X2 Transponders (with valid subscription, activated to your transponder), X2 Pro Transponders and X2 Pro Transponders Plus
- ▶ X2 Driver ID only works with the latest firmware on the X2 transponder (this can be checked in the MYLAPS Connect software)

WHAT'S IN THE BOX?



2. Y-Cable



3. 4x Mounting Screws



Extra accessories for X2 Driver ID PRO:

4. Deutsch Cable



5. Power cable with fuse

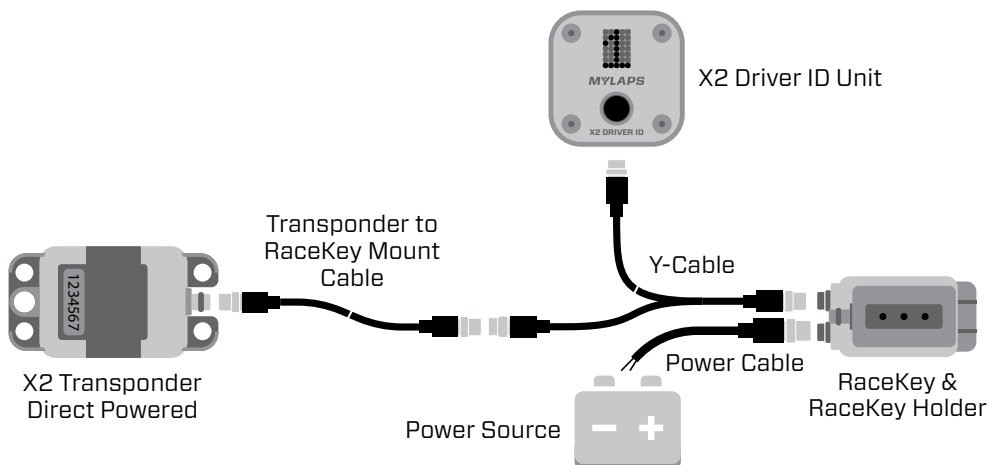


IN CASE YOU ENCOUNTER ANY ISSUES, PLEASE CONTACT YOUR LOCAL OFFICE

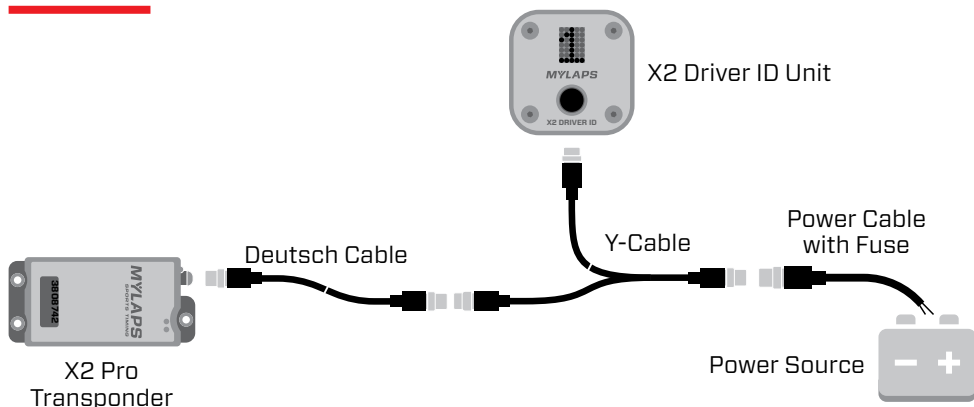
MYLAPS EMEA Office
Haarlem, The Netherlands
☎ +31 (0)23 760 0100
✉ info@mylaps.com

MYLAPS Americas Office
Atlanta, USA
☎ +1 678 816 4000
✉ info.americas@mylaps.com

SETUP FOR DIRECT POWERED MYLAPS X2 TRANSPONDER



SETUP FOR MYLAPS X2 PRO TRANSPONDER



MYLAPS Japan Office

Tokyo, Japan

☎ +81 3 6418 8209

✉ info.japan@mylaps.com

MYLAPS APAC Office

Sydney, Australia

☎ +61 2 9533 1100

✉ info.asia.pacific@mylaps.com

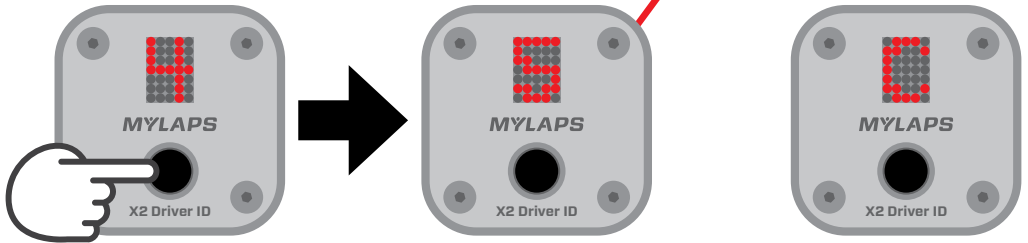
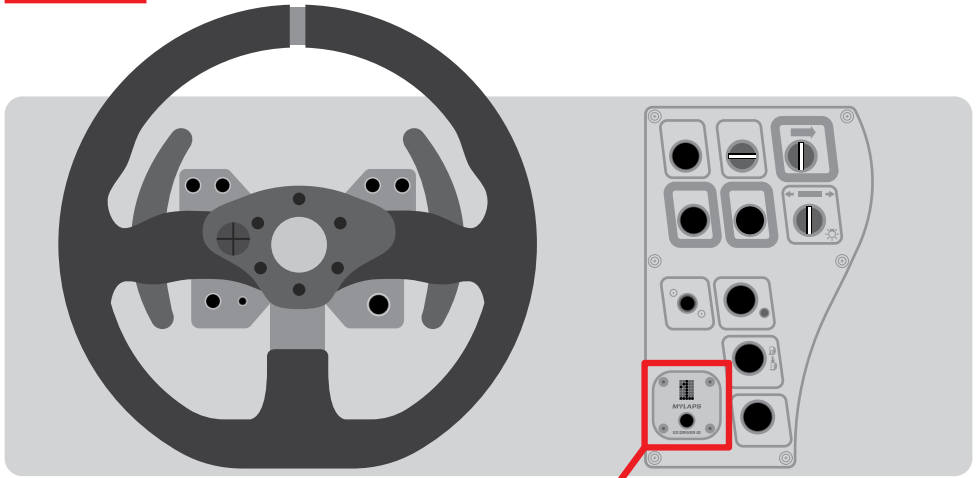
MYLAPS Asia Office

Selangor, Malaysia

☎ +60 3 5613 1235

✉ info.asia@mylaps.com

USING YOUR X2 DRIVER ID ON YOUR DASHBOARD



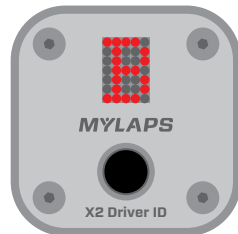
X2 Driver ID can be used by up to 5 users per transponder. Press the button to change driver.

- ▶ 1 > 2
- ▶ 2 > 3
- ▶ 3 > 4
- ▶ 4 > 5
- ▶ 5 > 1

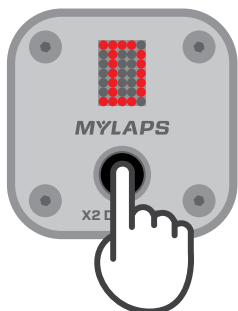
If LED panel shows 'C', the communication between the transponder and X2 Driver ID module is interrupted

ADJUSTING THE BRIGHTNESS

1. Press and hold the button until 'B' appears on the LED panel
2. Click the button to scroll through the brightness options
3. Brightness will be set after releasing the button for 2 seconds

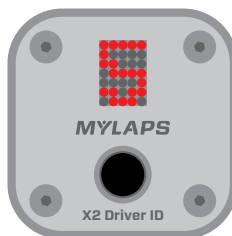
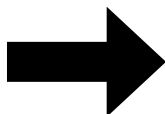


SETTING THE NUMBER OF DRIVERS



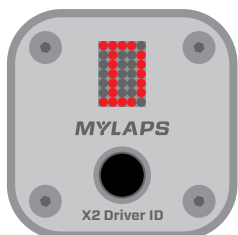
Press and hold down the button while powering up the X2 Driver ID.

The LED panel will briefly display 'D', after which you will see a number.

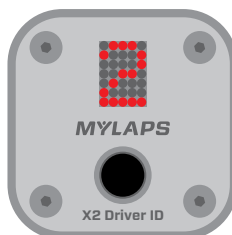
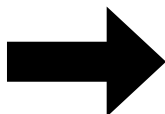


Press the button to scroll through 2 - 5 (the number of drivers).

To set the number of drivers, press and hold the button.



Keep the button pressed until the LED panel displays, 'D'.



After displaying 'D' the LED panel will return to a number.

SPECIFICATIONS

Dimensions Complete Driver Id module (without cable)	60x60x30 mm / 2,4x2,4x1,4 inch	CAN ID	0XAD
Dimensions PCB only	55x55x25 mm / 2,2x2,2x1 inch	Connection	4 pin M8 sensor connector male Pin 1 12V Brown Pin 2 Can-L White Pin 3 GND Blue Pin 4 Can-H Black
Weight Complete Driver ID module	80 gr / 0.176 lb	Mounting bolt size	M3
Weight PCB only	30 gr / 0.066 lb	Environmental operating temperature	- 60°C / 32 -140 °F
Power	12V / 0,3A	Environmental protection	IP51
CAN Bus	CAN 2.0A compliant	Number of drivers	2 - 5
Baudrate	1 mbit/s		

FOR MORE INFORMATION GO TO
MYLAPS.COM
